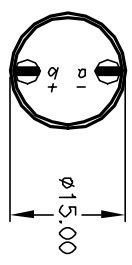
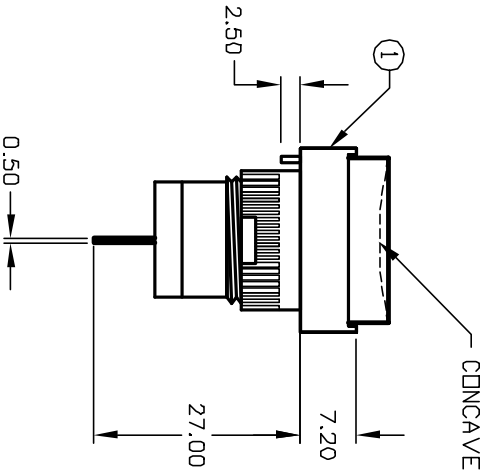
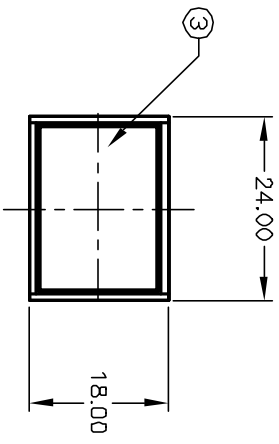


RECOMMENDED PANEL MOUNTING  
SCALE 1:1

α-①-b (+)

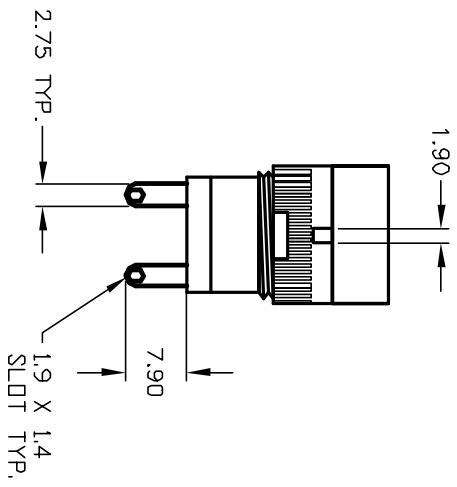
CIRCUIT: PILOT INDICATOR

- NOTES:
1. ALL DIMENSIONS IN MM
  2. GENERAL TOLERANCE: X.X=±0.4  
X.XX=±0.25
  3. RATINGS: 1A, 2A, 4A, 5A @250V AC  
6V AC/DC 200mA (INCANDESCENT BULB)
  4. CONTACT MATERIAL: COPPER ALLOY W/Silver Plating



PARTS LIST

ITEM	QTY.	PART NO.	PART DESCRIPTION
1	1	F040001	L16 PL T1 00
2	1	F050402	50-004-02 (Incandescent bulb)
3	1	F050205	50-002-05 (WHT lens)



A		13113	RELEASE FOR PRODUCTION	5/8/03	AR	TITLE	
REV.	ECN No.	DESCRIPTION	DATE	CHKD	SCALE	DATE	DR
					1:1	5/8/03	AR
THE INFORMATION CONTAINED IN THIS DOCUMENT IS PROPRIETARY TO E-SWITCH AND IS NOT TO BE COPIED OR TRANSFERRED							
				L16 PL T10 A WHT			
				E-SWITCH®			
				JWG			
				XF0288P			
				REV			
				A			